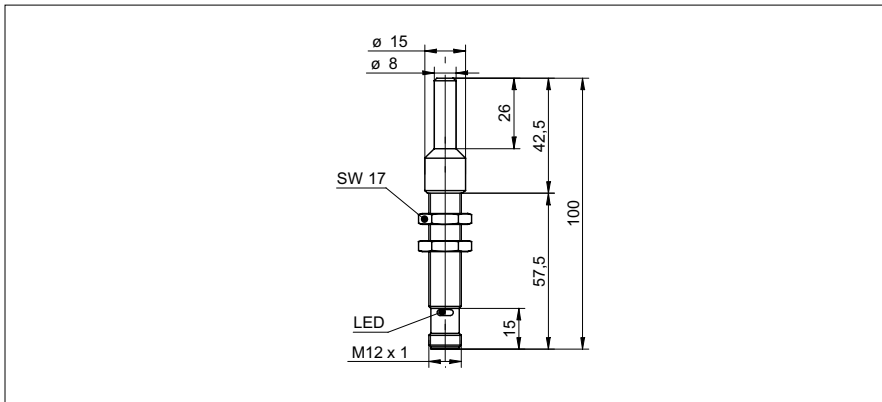


Ultrasonic proximity sensors

UNAM 12N8910/S140D

dimension drawing



general data

special type	Highspeed
scanning range Sd	0 ... 40 mm
scanning range far limit Sde	0 ... 40 mm
hysteresis typ.	4 % Sde
repeat accuracy	< 0,5 mm
temperature drift	< 0,18 % Sde/K
response time ton	< 1,3 ms
release time toff	< 1,3 ms
switching frequency	< 225 Hz
sonic frequency	380 kHz
adjustment	external Teach-in
alignment aid	target indication flashing
output indicator	LED green

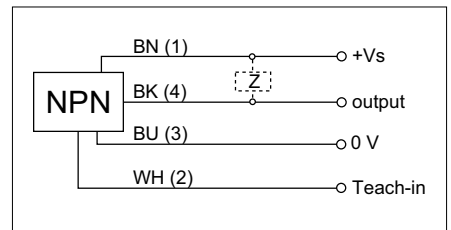
photo



electrical data

voltage supply range +Vs	12 ... 30 VDC
current consumption max. (no load)	35 mA
output circuit	NPN make function (NO) / break function (NC)
output current	< 200 mA
voltage drop Vd	< 2 VDC
residual ripple	< 10 % Vs
short circuit protection	yes
reverse polarity protection	yes

connection diagram



mechanical data

type	cylindrical threaded
housing material	brass nickel plated
width / diameter	12 mm
height / length	100 mm
connection types	connector M12

ambient conditions

operating temperature	-10 ... +60 °C
protection class	IP 67



- external Teach-in
- miniature housing
- response-/release time ± 0,7 ms
- Schaltfrequenz: gem. EN 60947-5-2
- NO/NC, programmable

Ultrasonic proximity sensors

UNAM 12N8910/S140D

typical sonic cone profile

