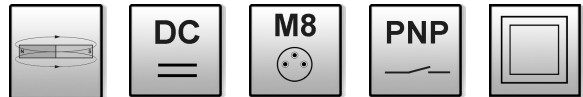


dimensions 4.8 x 5.8 x 29.5
 T-groove sensor surface middle area



- ✓ insertible from above
- ✓ plastic-housing
- ✓ LED-display
- ✓ short-circuit and reverse polarity protection
- ✓ degree of protection IP67

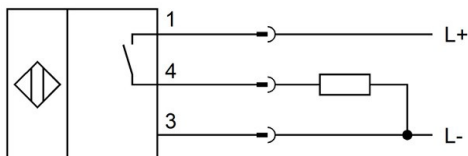
**wear-free cylinder switch
 plastic housing**



article-no..	MZ072188
connection	0.5m M8-cable connector, PUR
Technical Data	
sensor surface	middle area
output signal	pnp, NO
operating voltage	10 ... 30V DC
current consumption (w/o load)	≤ 8mA
output current (max. load)	≤ 100mA
voltage drop (max. load)	≤ 2.0V DC
response sensitivity typ.	3mT
travel path typ.	10mm
hysteresis typ.	1mm
repeat accuracy typ. ¹⁾	0.1mm
switching frequency	≤ 1kHz
display (signal)	LED yellow
short-circuit protected	+
reverse polarity protected	+
material (housing)	plastic
dimensions	4.8 x 5.8 x 29.5
temperature (operating)	-30 ... +80 °C
degree of protection (EN 60529)	IP67
connection	M8-cable connector, 3-pin, rotatable thread
connection accessories	e.g. VK200075

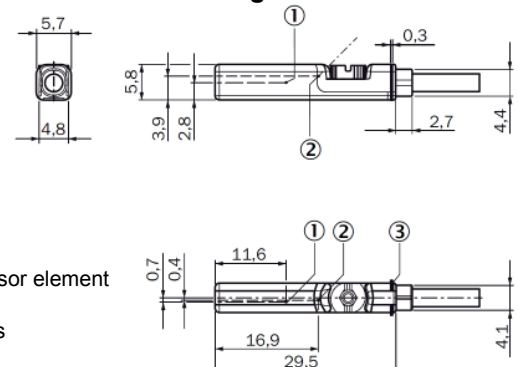
¹⁾ constant operating voltage and temperature

connection



colors: 1 = BN (brown), 3 = BU (blue), 4 = BK (black)
 functions: 1 = L+, 3 = L-, 4 = PNP NO

dimensional drawing



1. position sensor element
2. LED-display
3. retaining ribs

Warning: Never use these devices in applications where the safety of a person depends on their functionality.