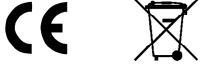
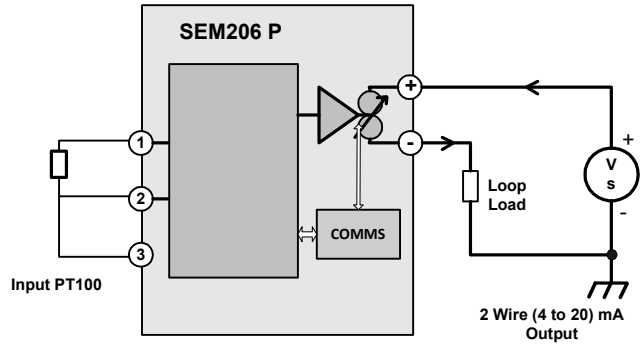


## SEM206/P USER GUIDE

SMART HEAD MOUNTED TRANSMITTER INPUT PT100  
 TWO WIRE (4 to 20) mA



**Important - Please read this document before any installing.**



Every effort has been taken to ensure the accuracy of this document, however we do not accept responsibility for damage, injury, loss or expense resulting from errors and omissions, and we reserve the right of amendment without notice.



### IMPORTANT - CE & SAFETY REQUIREMENTS

Product must be mounted, inside a suitable enclosure providing environmental protection to IP65 or greater.

To maintain CE EMC requirements, input wires must be less than 3 metres.

The product contains no serviceable parts, or internal adjustments. no attempt must be made to repair this product. Faulty units must be returned to supplier for repair.

This product must be installed by a qualified person. All electrical wiring must be carried out in accordance with the appropriate regulations for the place of installation.

Before attempting any electrical connection work, please ensure all supplies are switched off.

ABSOLUTE MAXIMUM CONDITIONS ( To exceed may cause damage to the unit) :-

Supply Voltage	± 30 V dc (Protected for over voltage and reverse connection)
Current with over voltage	± 100 mA
Input Voltage	± 3 V between any terminals
Ambient	Temperature (-40 to 85) °C Humidity (10 to 95) % RH (Non condensing)

### PRODUCT SPECIFICATION

Please refer to the product data sheet for full specification, available to download at [www.status.co.uk](http://www.status.co.uk).

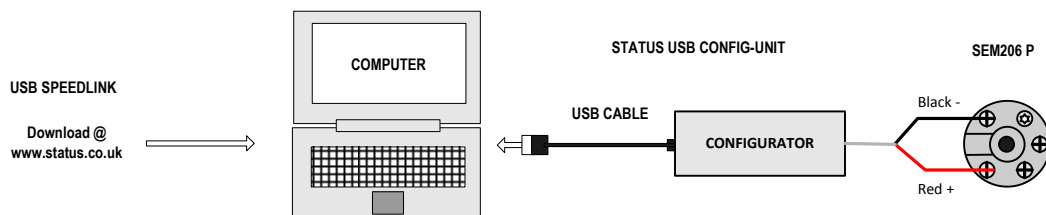
### RECEIVE AND UNPACKING

Please inspect the packaging and instrument thoroughly for any signs of transit damage. If the instrument has been damaged, please notify your supplier immediately.

### CONFIGURATION



**IMPORTANT** Do not attempt to configure the SEM206 P when connected to a loop supply.



The following parameter can be configured by simply entering as prompted by the software package.

- Low range
- High range
- Units (°C, °F)
- Burnout (direction of output current on sensor burnout)

**Factory default:**

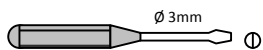
Low Range	= 0
High Range	= 100
Units	= °C
Burnout	= UPSCALE

**ELECTRICAL INSTALLATION**



TURN OFF SUPPLY BEFORE WORKING ON ANY ELECTRICAL CONNECTION

Screw Driver



**INPUT CONNECTION**

PT100 wire must be equal length and type .  
To maintain CE compliance cable length must be less than 3 Metres.

**OUTPUT CONNECTION**

Use twisted pair or screened cables for cable lengths greater than 30 Metres. Max cable length 1000 Metres.  
Ensure loop is grounded at one point.

