

# Differential pressure switch Eco Model A2G-41

WIKA data sheet PV 27.42



## Applications

- For dry, clean, non-aggressive gases, usually air
- Monitoring of ventilators, blowers and filters in ventilation and air-conditioning applications
- Overpressure monitoring in clean rooms and laboratories

## Special features

- Easy to install and assemble
- High accuracy
- Robust case and functional design
- Delivery incl. connection accessories



Differential pressure switch Eco, model A2G-41

## Description

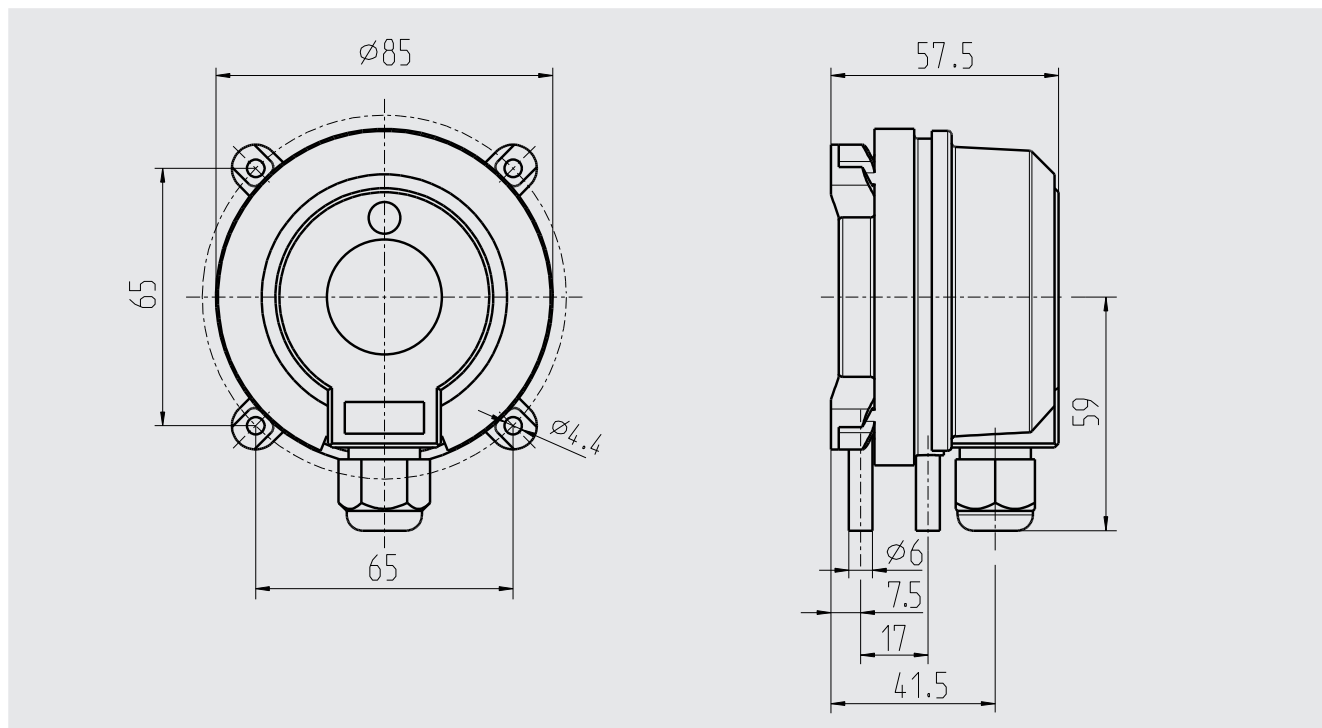
The model A2G-41 differential pressure switch is used for monitoring the differential pressure of air and other non-inflammable and non-aggressive gases. Possible fields of application are the monitoring of air filters, blowers, industrial cooling air circuits and flows in ventilation ducts.

The setting of the switch point is made via an internal precision scale.

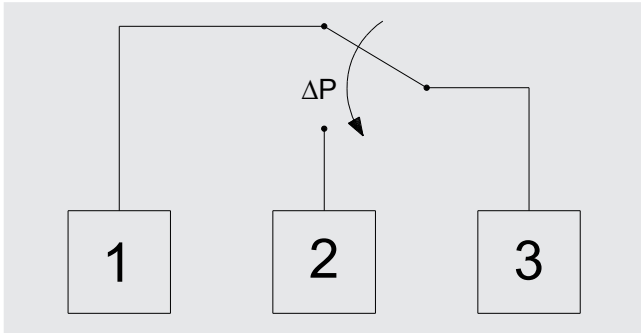
## Specifications

Differential pressure switch, model A2G-41			
Accuracy of the switch point	Pressure range	Switching differential	Accuracy
	20 ... 200 Pa	10 Pa	±15 %
	30 ... 300 Pa	10 Pa	±15 %
	40 ... 400 Pa	20 Pa	±15 %
	50 ... 500 Pa	20 Pa	±15 %
	200 ... 1,000 Pa 500 ... 2,500 Pa	100 Pa 150 Pa	±15 % ±15 %
Process connection	2 x Ø 6 mm		
Electrical connection	Cable gland M16 Blade terminal max. 0.5 mm <sup>2</sup>		
Switching power	AC 250 V, 1.5 A (0.4 A)		
Standard accessories	<ul style="list-style-type: none"> <li>■ 2 duct connectors</li> <li>■ 1 m PVC hose, Ø 6 mm</li> <li>■ 4 self-tapping screws Ø 3 x 10 mm</li> </ul>		
Operating temperature	-40 ... +85 °C		
Ingress protection	IP54		
Dimensions (H x W x D)	101.5 x 85 x 57.5 mm		
Weight	120 g		

## Dimensions in mm



## Electrical connection



## Approvals

Logo	Description	Country
CE	<b>EU declaration of conformity</b> <ul style="list-style-type: none"><li>■ EMC directive</li><li>■ RoHS conformity</li></ul>	European Union

Approvals and certificates, see website

## Scope of delivery

- Differential pressure switch incl. mounting screws
- 2 duct connectors
- 1 m PVC hose

## Ordering information

Model / Pressure range

© 01/2018 WIKA Alexander Wiegand SE & Co. KG, all rights reserved.  
The specifications given in this document represent the state of engineering at the time of publishing.  
We reserve the right to make modifications to the specifications and materials.

